

May 2017 Newsletter



A manufacturer's representative with over 30 years experience serving the OEM lighting market.

Visit our website to learn more about the premier manufacturers we represent oemlightingsales.com.



What *not* to miss at Lightfair 2017

Lightfair will be opening its doors to the lighting community again soon - this time in Philadelphia, May 9 through 11. Be sure to stop by the **eldoLED booth (#1607)** to meet our newest LED drivers, production configuration jigs and sensors, battery packs and room level control devices to create the best possible lighting experience.

eldoLED

your product | *our drive*



Production line programming at the click of a button

Up your production game with eldoLED jigs! Come and check out our work bench to see how our configuration jigs increase throughput, lower production cost and simplify your supply chain. We will gladly demonstrate their ease of use, flexibility and accuracy.



LightShape's Dim To Warm

Lightshape eliminates complicated commissioning by embedding the color tuning intelligence into the driver and using industry-standard control to provide a simple interface to CCT selection and intensity.

At our Lightfair booth, you'll experience how the Dim to Warm SOLOdrive lets you replicate the comfortable ambience of traditional light sources that warm in color as they are dimmed.

Current 50W SOLOdrives with Dim to Warm capability include:

- 0-10V: SOLOdrive [561/A](#), [561/L](#), [561/S](#), [561/U](#)
- DALI: SOLOdrive [560/A](#), [560/L](#), [560/S](#), [560/U](#)

Visit eldoLED at LIGHTFAIR booth # 1607

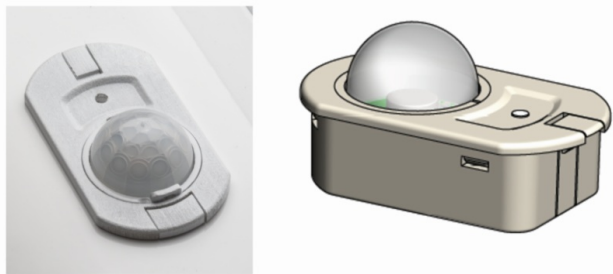


New Product Alert!

Introducing "Haleon"

Fixture Integrated Industrial High Bay / Low Bay Sensor

SENSOR SWITCH FEATURED PRODUCT Low Bay & High Bay BLE Embedded Control



Features:

- Configurable via mobile app
- Visual Light Programming (VLP) and BlueTooth Low Energy (BLE)
- Field installable - snaps into fixture from outside
- Integrated convertible lens mask rotates 360°

Visit Alanod / WhiteOptics at LIGHTFAIR booth #1317

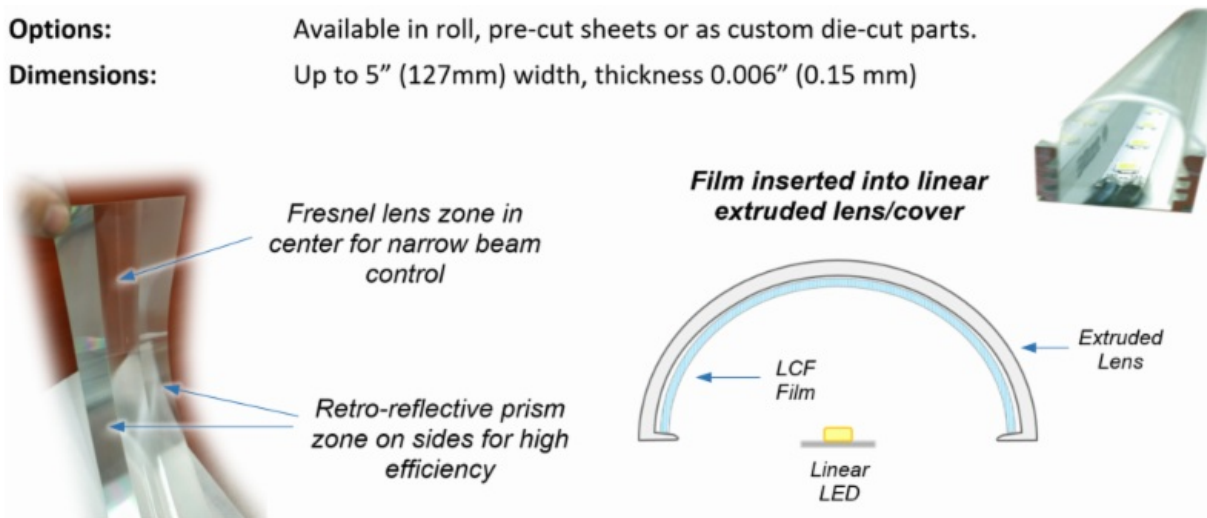


WhiteOptics® Linear Control Film (LCF)

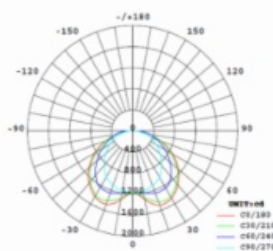
Product Introduction

- Product Code:** LCF
- Description:** Patent-Pending, Micro-structured, linear prism film providing efficient distribution control.
- Applications:** For flexible beam control in linear lighting applications including Linear Architectural, High Bay, Retail and Specialty lighting.

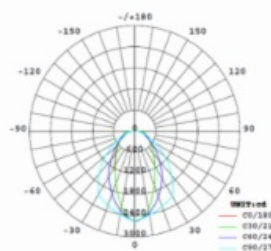
- Options:** Available in roll, pre-cut sheets or as custom die-cut parts.
- Dimensions:** Up to 5" (127mm) width, thickness 0.006" (0.15 mm)



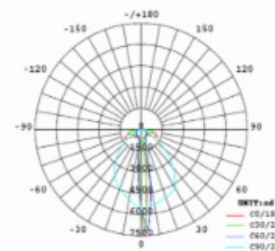
- ✓ Combine LCF with extrusion to achieve a wide range of optical distributions
- ✓ Eliminate tooling for custom molded optics
- ✓ Vary amount of frosting/ diffusion in extrusion to affect aesthetics and beam spread
- ✓ Achieve over 90% Optical Efficiency*



Wide using LCF-7002-1



Narrow using LCF-190



Focused using LCF-193

* Achievable optical utilization in a linear fixture with PCB and optical cavity lined with WhiteOptics F16 White98® film and LCF film as lens. Results will vary depending on geometrical design and emitter type.

[Visit WhiteOptics at LightFair](#)

See you next week at LFI 2017!

Please forward quote requests and orders
to: **orders@oemlightingsales.com**

Visit our website to learn more about our premier
manufacturers:
www.oemlightingsales.com

Give us a call today!
718.321.0002

41-07 162nd St
Flushing, NY 11358